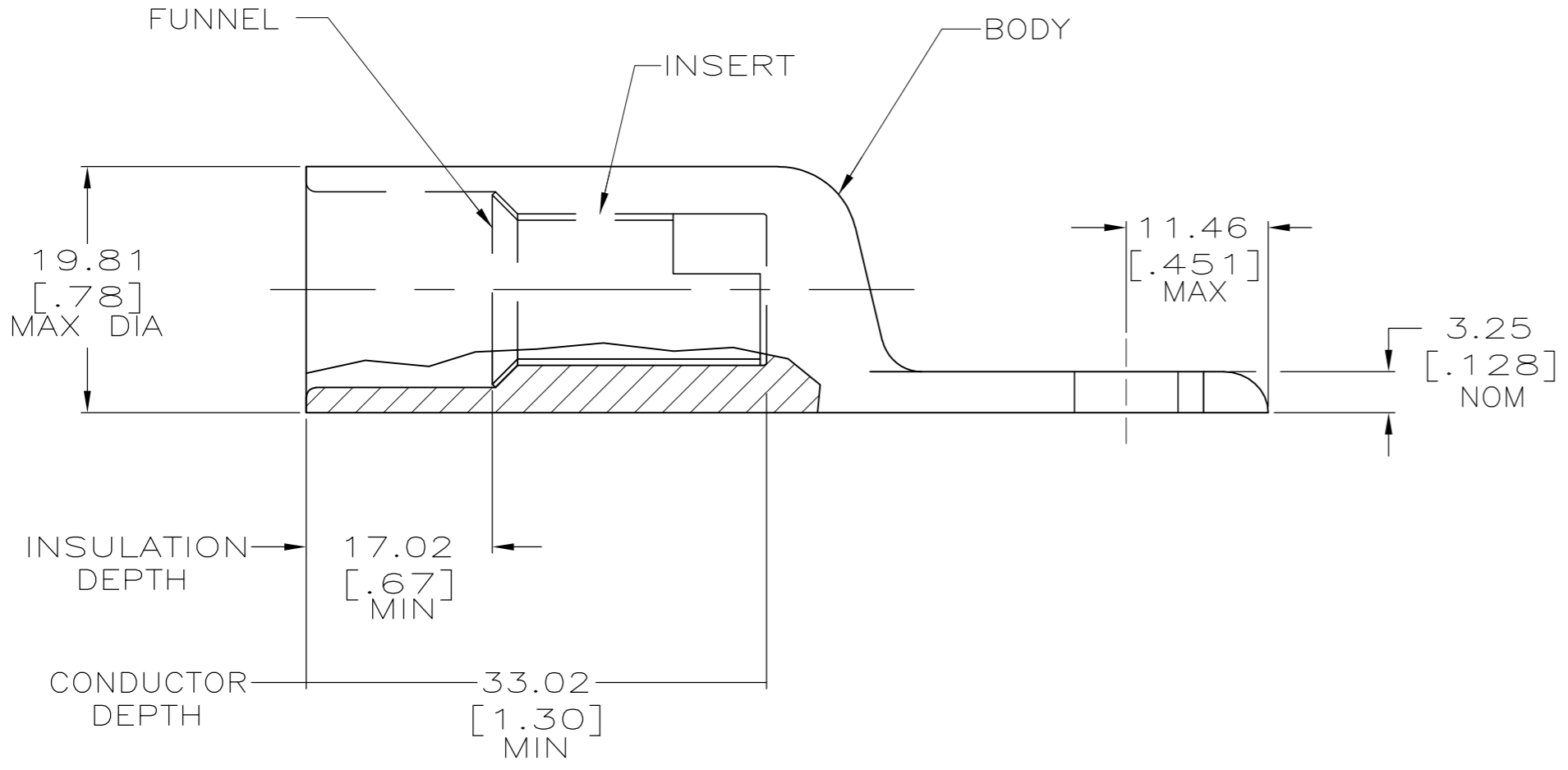
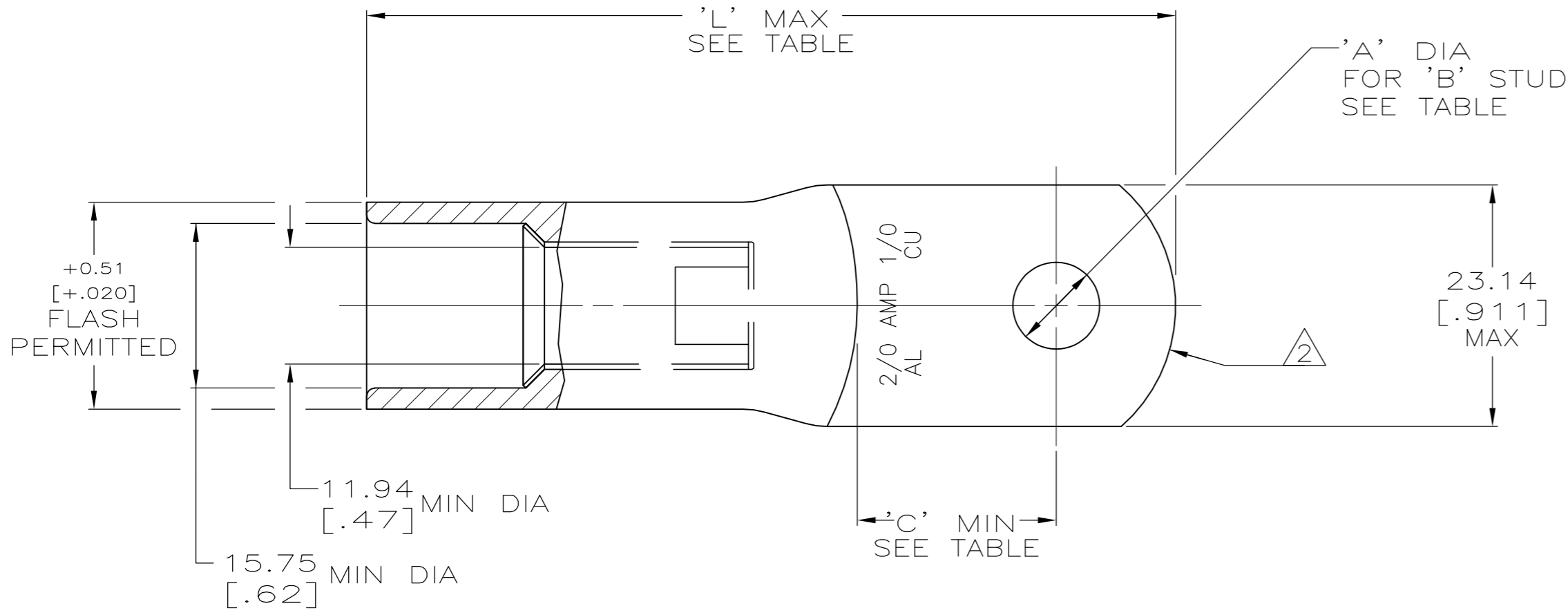


THIS DRAWING IS UNPUBLISHED. RELEASED FOR PUBLICATION
 © COPYRIGHT BY TYCO ELECTRONICS CORPORATION. ALL RIGHTS RESERVED.

| LOC | DIST | REVISIONS | | | |
|-----|------|-------------|-----------------------|---------|-------|
| P | LTR | DESCRIPTION | DATE | DWN | APVD |
| G | 86 | J | REV PER ECR 08-005023 | 27FEB08 | JR MS |

1 WIRE INSULATION: 12.70[.500] - 13.97[.550] DIA

△ THE TONGUE RADIUS FEATURE IS NOT A TOOLING CONTROLLED DIMENSION AND MAY NOT BE A TRUE RADIUS.



| WEIGHT | 'A' | 'B' | 'L' | 'C' | MATERIAL & FINISH | PART NO. |
|--------------------------|--|------|--------------|-------------|---|----------|
| 78.0 ^{±5} GRAMS | 13.08 ^{±0.13} [.515 ^{±0.005}] | 1/2 | 77.47 [3.05] | 18.03 [.71] | BODY: COPPER ASTM-B187 ANNEALED TIN PL PER MIL-T-10727 0.00381[.000150] MIN THK | 277152-5 |
| 81 ^{±5} GRAMS | 9.91 ^{±0.13} [.390 ^{±0.005}] | 3/8 | | | | 277152-4 |
| 80 ^{±5} GRAMS | 8.33 ^{±0.13} [.328 ^{±0.005}] | 5/16 | | | INSERT & FUNNEL: BRASS ASTM B36 | 277152-3 |
| 76.3 ^{±5} GRAMS | 9.91 ^{±0.13} [.390 ^{±0.005}] | 3/8 | 71.37 [2.81] | 11.94 [.47] | NICKEL PL SAE AMS QQ-N-290A, DATED JULY 2000, 0.00254 [.000100] MIN THK | 277152-2 |
| - | 6.73 ^{±0.13} [.265 ^{±0.005}] | 1/4 | | | | 277152-1 |

THIS DRAWING IS A CONTROLLED DOCUMENT.

| | |
|--|---|
| DWN DK SCHRUM 6/23/89 | Tyco Electronics Corporation Harrisburg, PA 17105-3608 |
| CHK MS FEHER 10/16/90 | |
| APVD AJ KAUFMAN 10/20/90 | |
| NAME | |
| DIMENSIONS: MM [INCHES] | PRODUCT SPEC 108-11011 |
| TOLERANCES UNLESS OTHERWISE SPECIFIED: | APPLICATION SPEC 114-2134 |
| 0 PLC ± - | SIZE |
| 1 PLC ± - | CAGE CODE |
| 2 PLC ± - | DRAWING NO |
| 3 PLC ± - | RESTRICTED TO |
| 4 PLC ± - | WEIGHT SEE TABLE |
| ANGLES ± - | SCALE 2:1 |
| MATERIAL SEE TABLE | FINISH SEE TABLE |
| | CUSTOMER DRAWING |